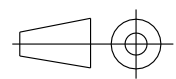
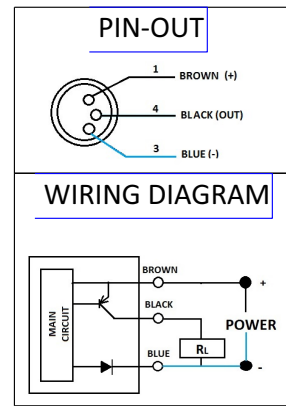
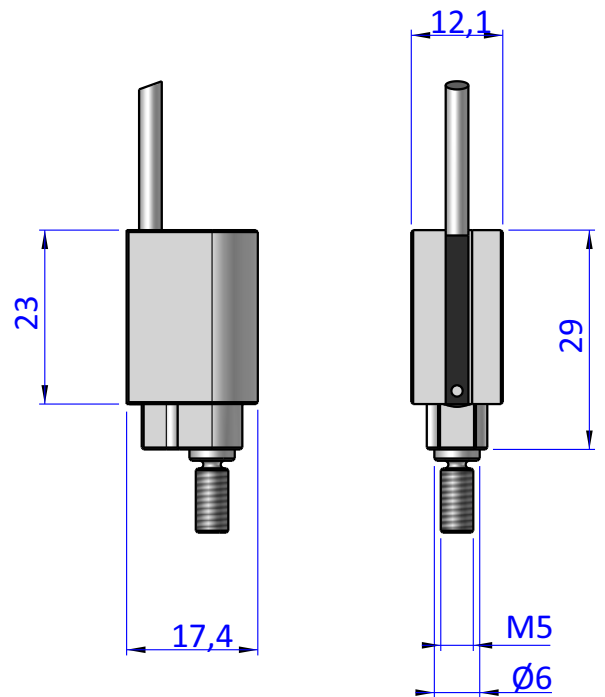
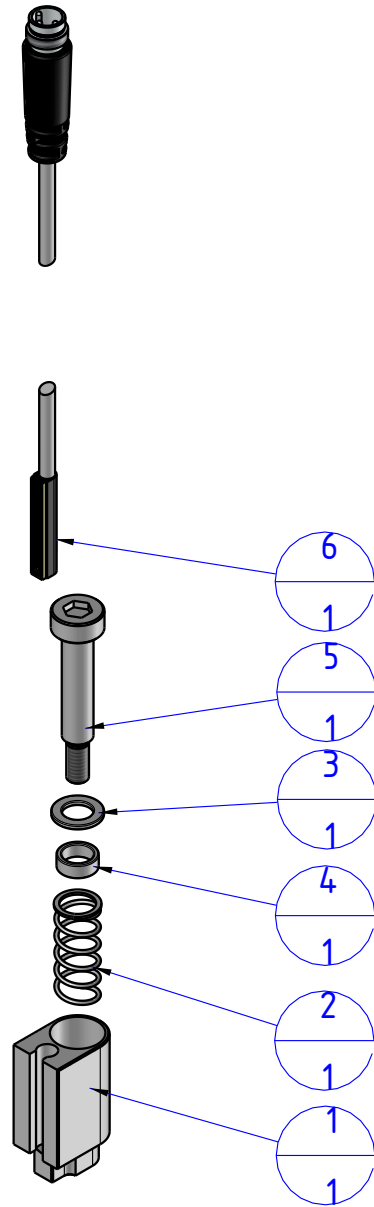
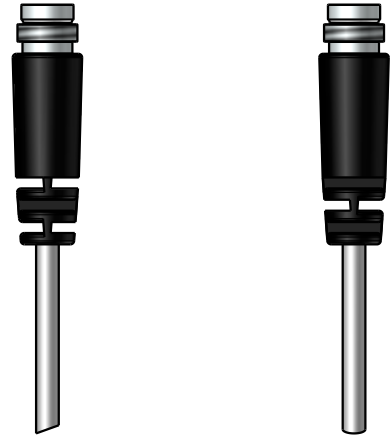


THE PROPERTY OF THE DRAWING IS ESTABLISHED BY LAW. IT IS FORBIDDEN TO PRODUCE OR SHOW IT TO THIRD PART. WITHOUT A WRITTEN AGREEMENT.

Item	Name	Q.ty
1	CUXY.90.7	1
2	DIM.D11760	1
3	CUXY.90.9	1
4	CUXY.90.10	1
5	V.UMB.06.25.M5	1
6	KT58PM8	1



DESIGNED FROM	FPS Automation		REVIEW
DATE	11/09/2020	WEIGHT	0,017kg
CODE	CA.CUDL.01		

Format A4
UNI 936-76

GENERAL TOLERANCE
UNI - ISO 2768
CLASSE f

DESCRIPTION
CA.CUDL.01